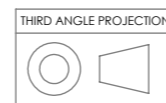
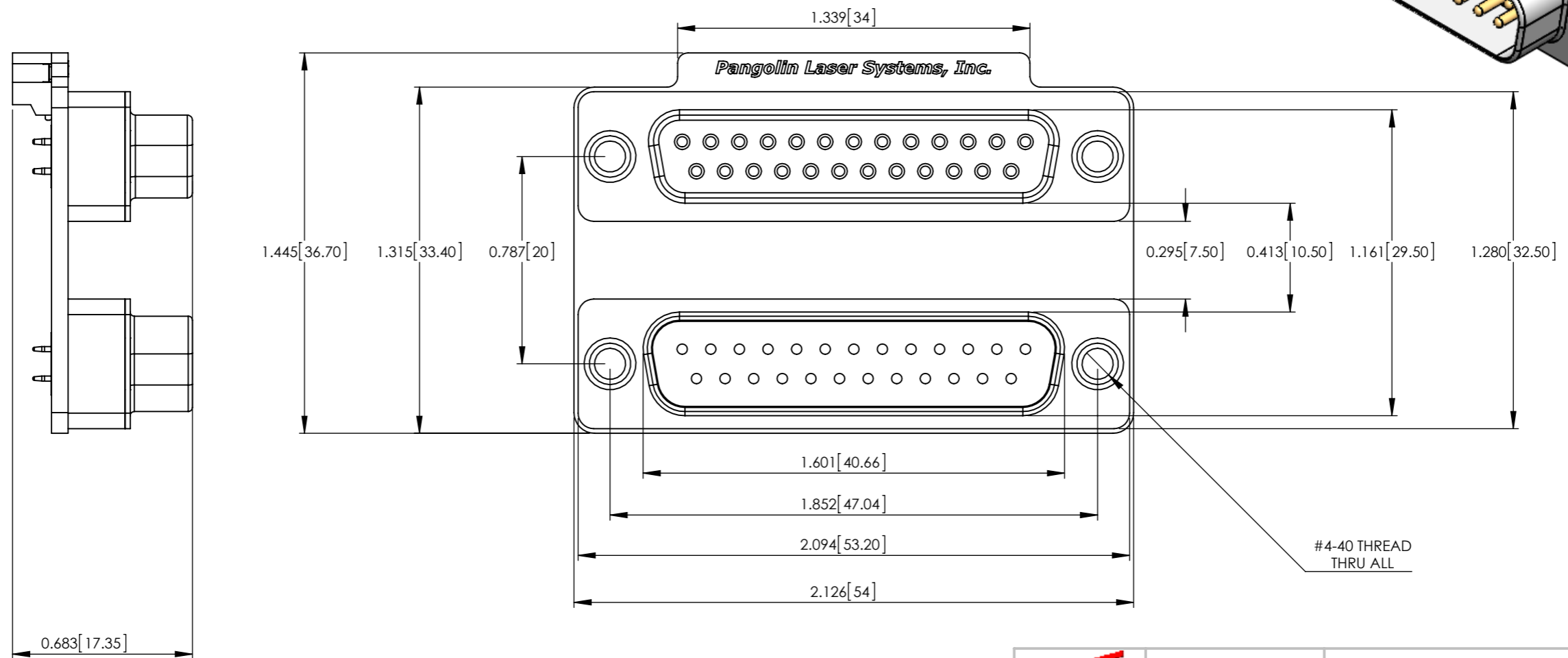
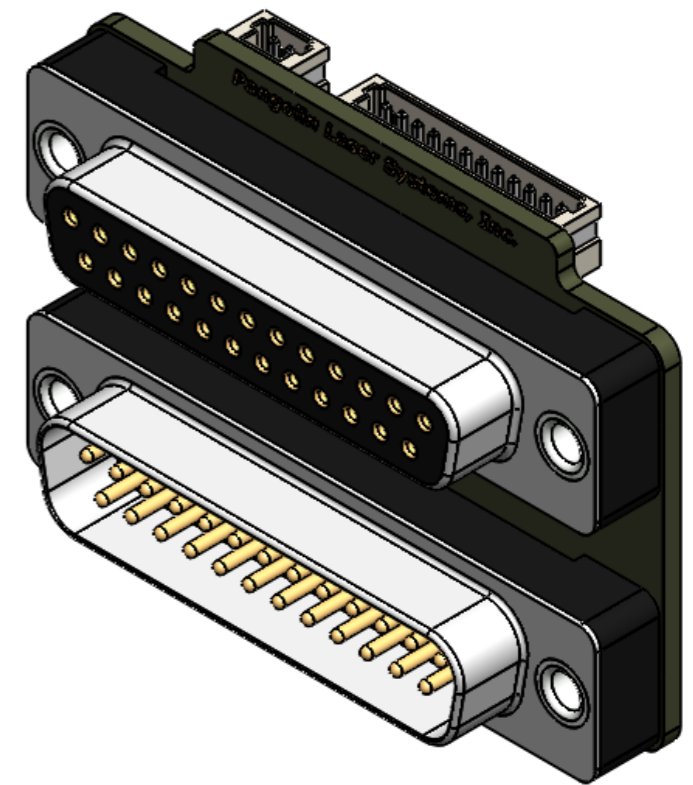

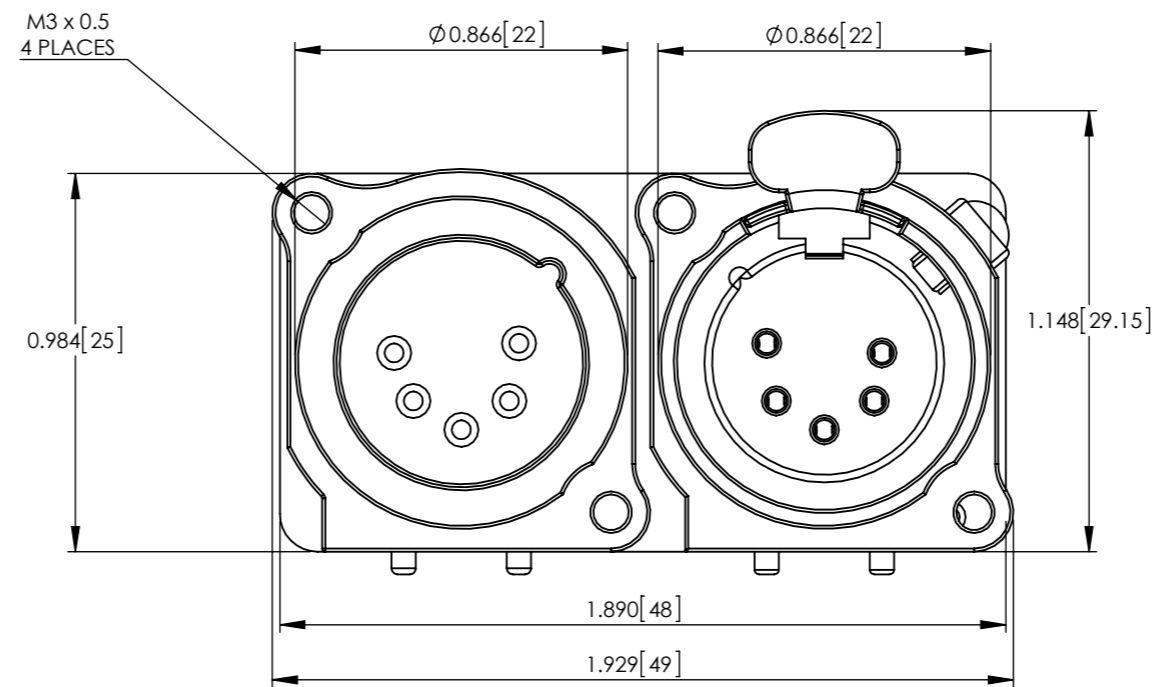
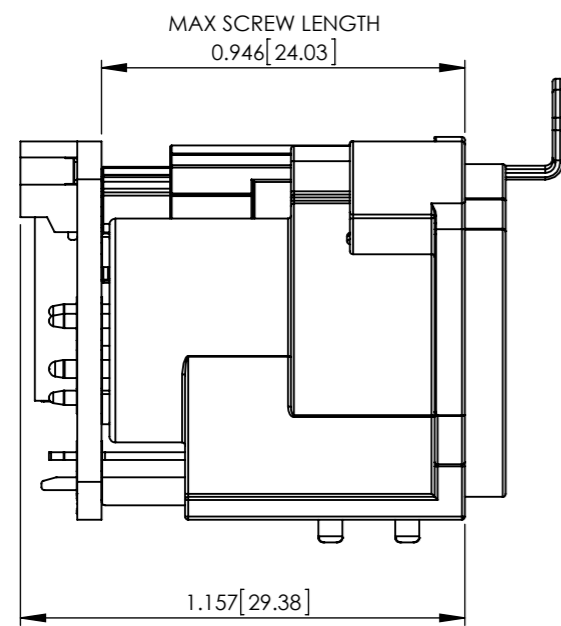
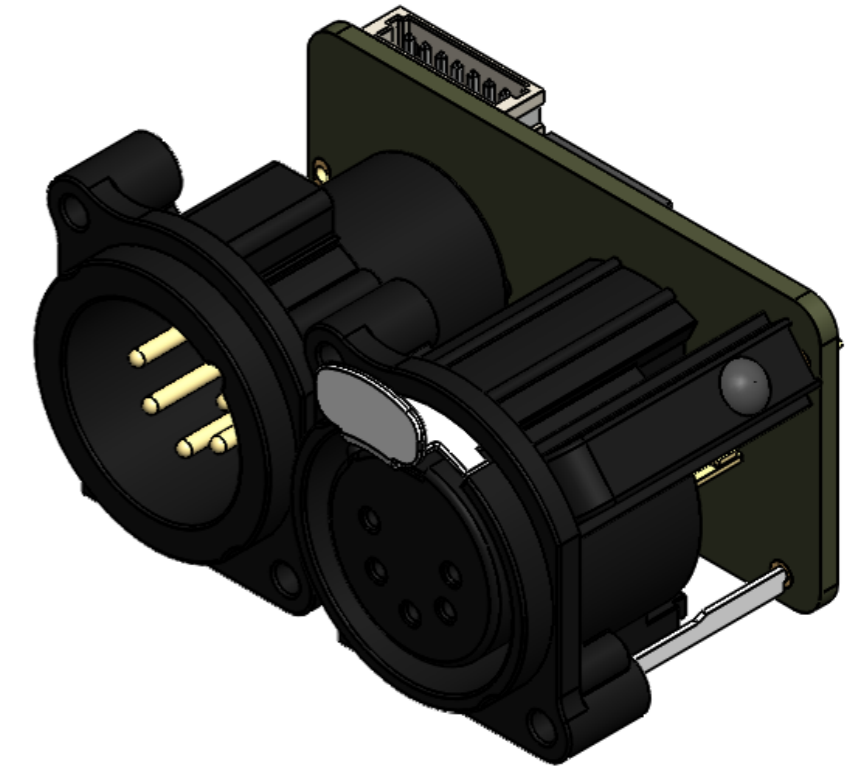
		DO NOT SCALE DRAWING	REVISION
		Pangolin Laser Systems, Inc.	
DRAWN	NAME R. Smith	DATE Friday, June 26, 2015	TITLE: Pangolin Laser Systems FB4-SE
DIMENSIONS ARE IN INCHES [mm]			
MATERIAL:	Various		DWG NO. FB4SE-May2015
WEIGHT:			A3
THIRD ANGLE PROJECTION		SCALE: 1:1	SHEET 1 OF 1






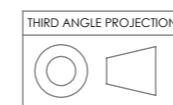
- NOTES:
1. CONNECTOR DIMENSIONS THE SAME AS STANDARD DB-25 PLUG
 2. FEMALE IS ILDA OUT, MALE IS ILDA IN
 3. STANDARD HEXAGONAL #4-40 STANDOFF USED FOR MOUNTING

		DO NOT SCALE DRAWING		REVISION
		Pangolin Laser Systems, Inc.		
NAME		DATE		TITLE:
DRAWN	R. Smith	Friday, June 26, 2015		Pangolin Laser Systems FB4-SE ILDA Daughterboard
DIMENSIONS ARE IN INCHES [mm]				
MATERIAL:		Various		DWG NO. FB4SE-ILDA
WEIGHT:				A3
THIRD ANGLE PROJECTION		SCALE:2:1		SHEET 1 OF 1

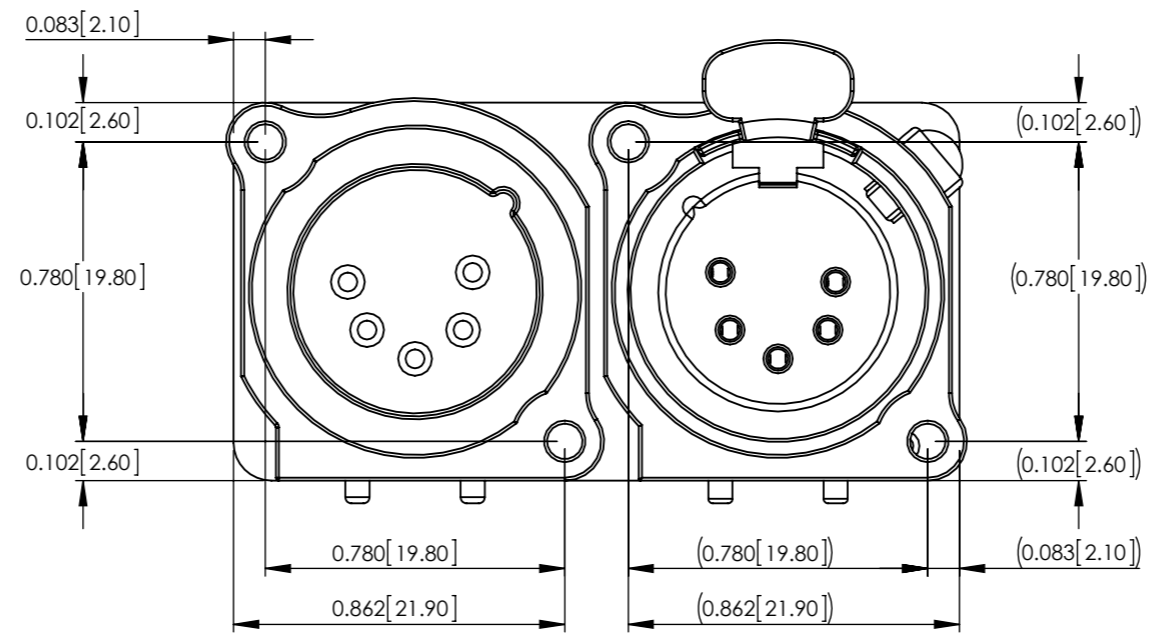



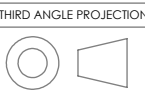
SEE SECOND SHEET FOR HOLE PATTERN DETAIL

		DO NOT SCALE DRAWING		REVISION
		Pangolin Laser Systems, Inc.		
DRAWN	NAME R. Smith	DATE Friday, June 26, 2015	TITLE: Pangolin Laser Systems FB4-SE DMX Daughterboard	
DIMENSIONS ARE IN INCHES [mm]			DWG NO. FB4SE_DMX	A3
MATERIAL: Various		SCALE: 2:1		
WEIGHT:		SHEET 1 OF 2		



ALL HOLES M3 x 0.5 THREAD



		DO NOT SCALE DRAWING	REVISION
		Pangolin Laser Systems, Inc.	
DRAWN	NAME R. Smith	DATE Friday, June 26, 2015	TITLE: Pangolin Laser Systems FB4-SE DMX Daughterboard
DIMENSIONS ARE IN INCHES [mm]			
MATERIAL:			
WEIGHT:		DWG NO. FB4SE_DMX	A3
		SCALE: 2:1	SHEET 2 OF 2